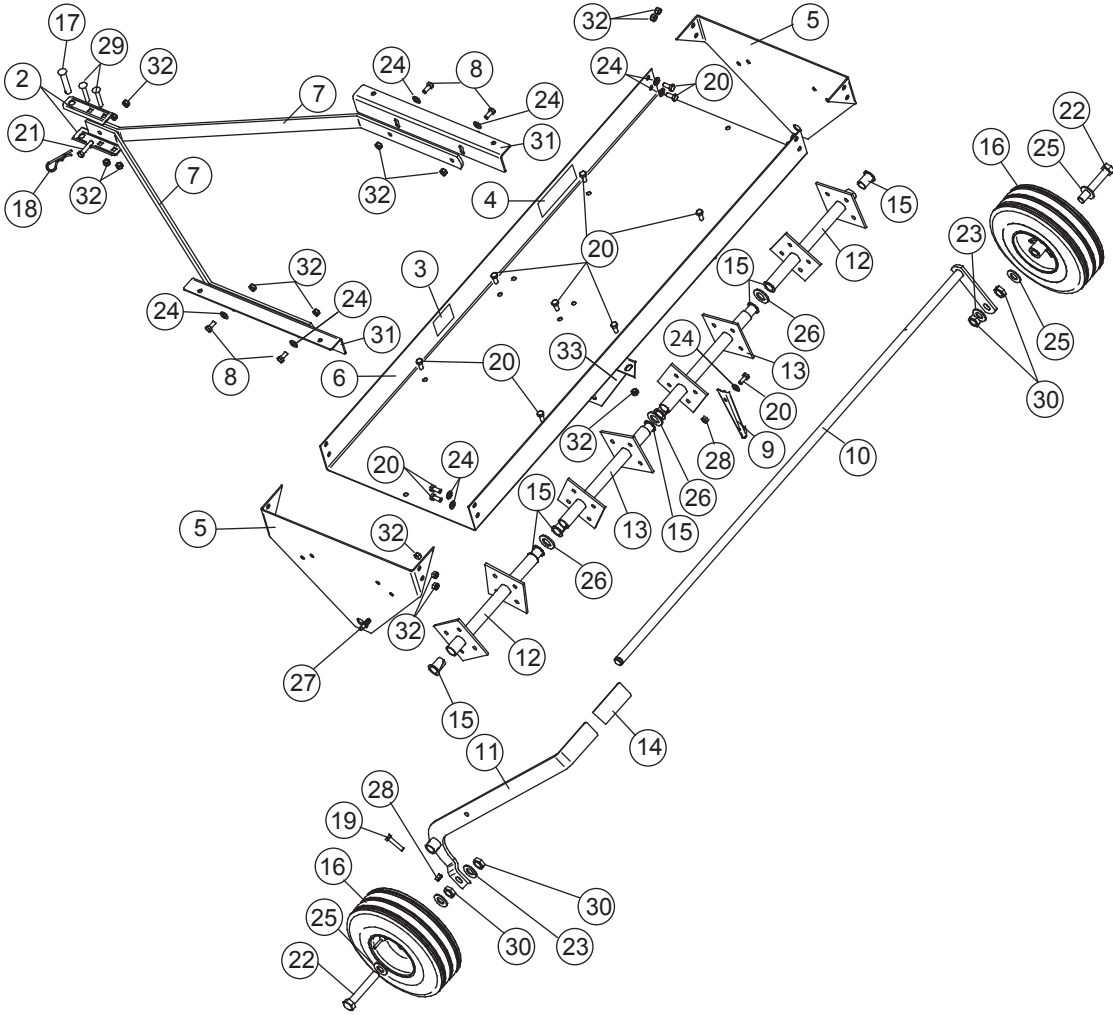


PARTS REFERENCE



**Installation Questions?
Missing Parts?
Replacement Parts?**

**DON'T GO BACK
TO THE STORE!**

**Please call Customer Service
Department Toll Free
877.728.8224 or
customerservice@brinly.com**

PARTS LIST

ITEM NO.	DESCRIPTION	MODEL PA-40 BH			MODEL PA-48 BH	
		PART NO.	QTY.		PART NO.	QTY.
1	Instructions	L-1762	1		L-1762	1
2	Clevis	R-892-10	2		R-892-10	2
3	Caution Label	R-1946	1		R-1946	1
4	Logo Decal	B-5922	1		B-5925	1
5	Side Plate	B-4851-10	2		B-4901-10	2
6	Tray With Labels	B-6173-BH	1		B-6257-BH	1
7	Tow Bar	B-6259-10	2		B-6259-10	2
8	Hex Bolt, 5/16" x 1"	2M1016P	4		2M1016P	4
9	Plugging Spoon	B-4855-10	24		B-4855-10	32
10	Axle Assembly	B-5700-10	1		B-5702-10	1
11	Lift Handle Assembly	B-5698-10	1		B-5698-10	1
12	End Tube Assembly	B-5309-10	2		B-4862-10	2
13	Center Tube Assembly	B-5311-10	1		B-4865-10	2
14	Handle Grip	B-4867	1		B-4867	1
15	3/4" Nylon Bearing	B-4866	6		B-4866	8
16	Transport Wheel	B-6174	2		B-6174	2
17	Hitch Pin	B-3861	1		B-3861	1
18	Hair Pin Cotter	D-146P	1		D-146P	1
19	Hex Bolt, 5/16" x 1-1/2"	2M1024P	1		2M1024P	1
20	Hex Bolt, 5/16" x 3/4"	2M1012P	37		2M1012P	48
21	Hex Bolt, 5/16" x 1-1/4"	2M1020P	1		2M1020P	1
22	Hex Bolt, 5/8" x 4"	2M2064P	2		2M2064P	2
23	Lock Washer, 5/8"	40M2000P	2		40M2000P	2
24	Flat Washer, 5/16"	45M1111P	12		45M1111P	45
25	Flat Washer, 5/8"	45M2121P	4		45M2121P	4
26	Mach. Bushing, 3/4"	B-676P	6		B-676P	6
27	Transport Lock Pin	B-3307-S	1		B-3307-S	1
28	Hex Lock Nut, 5/16"	B-1674P	25		B-1674P	33
29	Carriage Bolt, 5/16" x 2-1/4"	11M1036P	2		11M1036P	2
30	Hex Nut, 5/8"	30M2000P	4		30M2000P	4
31	Mount Bracket	B-6171-10	2		B-6258-10	2
32	Nylon Lock Nut, 5/16"	B-4786	21		B-4786	24
33	Center Plate	N/A	N/A		B-4902-10	1