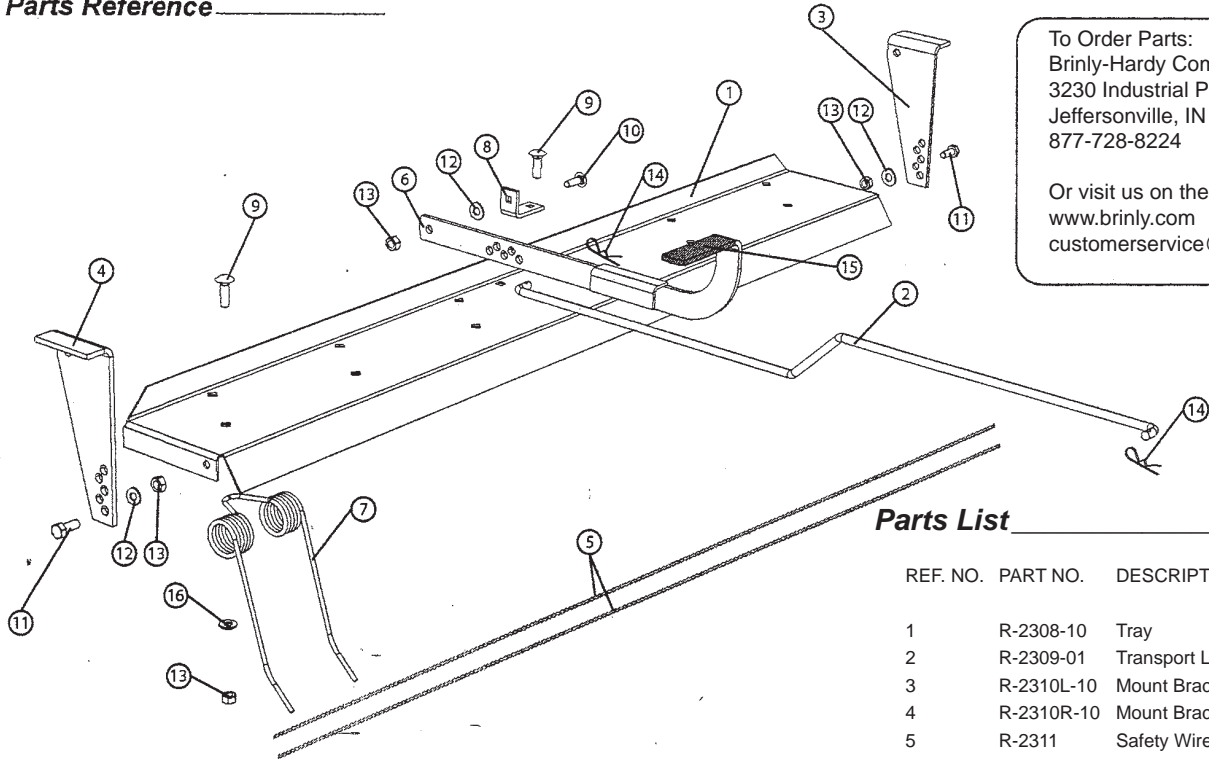


Parts Reference



To Order Parts:
 Brinly-Hardy Company
 3230 Industrial Parkway
 Jeffersonville, IN 47130
 877-728-8224

Or visit us on the web:
www.brinly.com
customerservice@brinly.com

Parts List

REF. NO.	PART NO.	DESCRIPTION	QTY.
1	R-2308-10	Tray	1
2	R-2309-01	Transport Link	1
3	R-2310L-10	Mount Bracket, L.H.	1
4	R-2310R-10	Mount Bracket, R.H.	1
5	R-2311	Safety Wire	2
6	R-2312-10	Lift Handle	1
** 7	R-628	Wire Tine	12
* 8	R-2315-10	Pivot Bracket	1
* 9	11M1012P	5/16" x 3/4" Carriage Bolt	13
* 10	11M1016P	5/16" x 1" Carriage Bolt	1
* 11	2M1012P	5/16" x 3/4" Hex Bolt	2
* 12	45M1111P	5/16" Flat Washer	3
* 13	B-4786	5/16" Nylon Lock Nut	16
* 14	B-983	Hairpin Cotter	2
* 15	R-1882	Flat Grip (5/16" x 4")	1
* 16	R-618	Special Washer (.390 i.d.)	12

** -Hardware Bag "A" - Z-1690

** -Hardware Bag "B" - Z-1688



MAINTENANCE

The key to years of trouble-free service is to keep your Sweeper and Dethatcher Kit clean and dry.

Never allow wet material to remain in Hamper for extended periods of time.

Occasionally check all moving parts for free movement and, if necessary, lubricate with oil.

Should rust develop, sand lightly and then paint area with enamel.

Periodically check all fasteners for tightness.



TRACTOR/RIDING MOWER SPEED

The faster the Tractor/Riding Mower speed, the further the material is thrown into the Hamper. Operate at a speed that will throw material to the back of the Hamper. Under normal conditions, 3-4 M.P.H., or the speed of a brisk walk.

To calibrate your tractor to 3 m.p.h.:

- Measure a distance of 20 feet on a flat, level surface.
- Adjust tractor throttle and select a gear to cover this distance in 4.5 seconds
- To adjust for 4 m.p.h., cover the same measured distance in 3.4 seconds.



OPERATION:

The use of the Dethatcher-Sweeper combination will accomplish Thatch removal and Sweeping at the same time. When adjusted properly, the Dethatcher is designed to comb through your lawn-flipping out harmful Thatch and collecting it in the Hamper. Tines can be lowered to actually contact ground for more aggressive operation (such as seedbed preparation, etc.). Refer to Fig. 6. For best results, lawn should be normal height (not too high) and relatively dry prior to Dethatching.

If you prefer to operate the Sweeper only, simply move the Lift Handle to the vertical position (Tines facing to REAR).