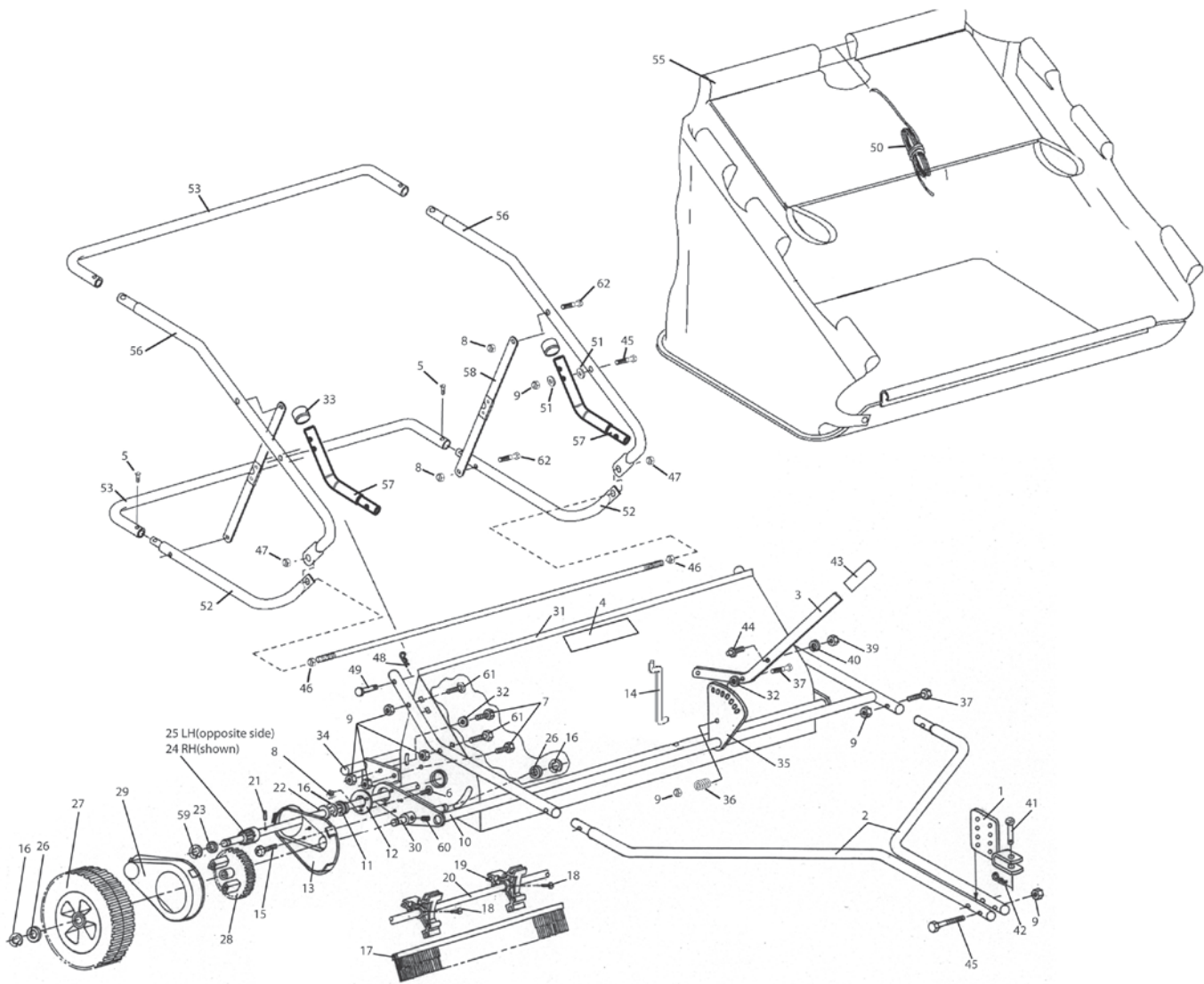


Product #: LPSTS42JD

Description: 42-Inch Sweeper



PIN Prefix: LM42SWP

(\* To file a warranty claim for this product, you will need to enter this PIN Prefix into the correct field on the JD WIN system.)

PARTS LIST

REF. NO.	PART NO.	DESCRIPTION	QTY.
1.	B1HR22510	Hitch Clevis Assembly	2
2.	B1HR225410C	Tow Tube	4
3.		Lift Handle	
4.		Logo Decal	
5.		Self-Taping S screw	
6.		Carriage Bolt	
7.		Hex Bolt	
8.		Hex Lock Nut	
9.		Nylon Insert Lock Nut	
10.	B1HR241510C	Lower Pivot Assembly	2
11.	B1HR2288	Bearing Assembly	4
12.	B1HR2289	Bearing Retainer	2
13.	B1HR22931	Inner Dust Shield	4
14.	B1HR2416	Lift Link	2
15.		Self-Taping S screw	
16.	B1HF577	"E" Ring	10
17.	B1HR2205	Brush Section	15
18.		Thread Form S screw #12	
19.	B1HR2281	Brush Holder	12
20.	B1HR225901	Brush Axle	2
21.	B1HR2261	Dowel Pin	50
22.		Washer	
23.	B1HR2263	Washer	10
24.	B1HR2279RH	Drive Pinion, Rt	30
25.	B1HR2279LH	Drive Pinion, Lft	30
26.	B1HB4768	Machinery Bushing	10
27.		Wheel	
28.	B1HR2280	Drive Gear	4
29.	B1HR22932	Outer Gear Cover	4
30.		Wheel Axle	
31.		Brush Housing Assembly	
32.		Flat Washer	

\* For warranty or replacement parts on licensed product please call John Deere Special Services at 1-866-218-8622.

