

SINCE 1839

BRINLY

SINCE 1839

BRINLY

OWNER'S MANUAL

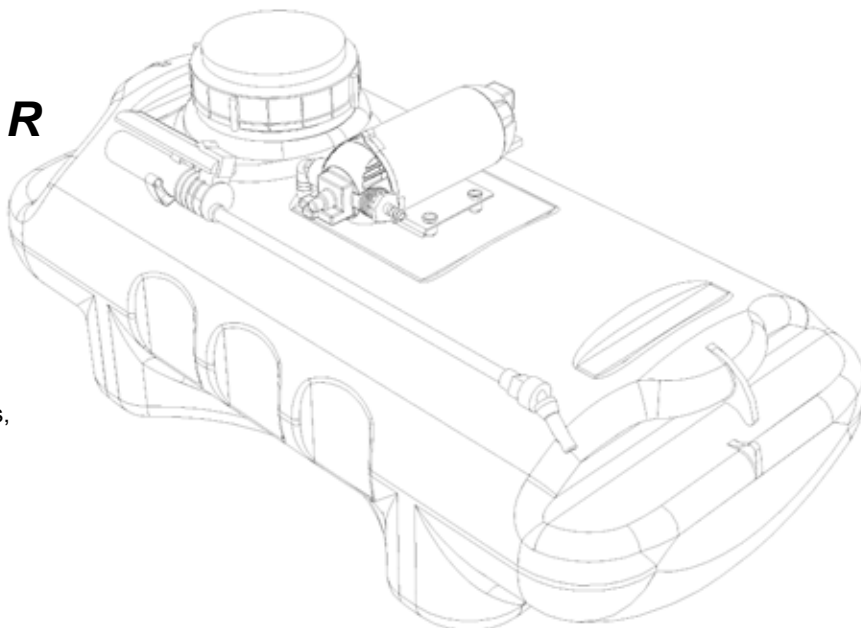
15 GALLON SPOT SPRAYER

SPRAYER MODEL:

SS-150

- Installation
- Operation
- Repair Parts

Recommended for use with Riding Mowers,
Lawn or Garden Tractors, and ATV's.



For the latest product updates and setup tips:

Visit us on the web
www.brinly.com

Important: This manual contains information for the safety of persons and property. Read it carefully before assembly and operation of the equipment!

L-1670-01

CONGRATULATIONS on your new Brinly-Hardy Sprayer! Your Sprayer has been designed, engineered and manufactured to give you the best possible dependability and performance.

Should you experience any problem you cannot easily remedy, please do not hesitate to contact our **Customer Service Department** toll-free at **1-877-728-8224**.

Please read and retain this manual. The instructions will enable you to assemble and maintain your sprayer properly. And please, always observe the "Safety Rules".

CUSTOMER RESPONSIBILITIES

Read and Observe the "Safety Rules".

Follow a regular schedule in maintaining, caring-for and using your Brinly Sprayer.

TABLE OF CONTENTS

SAFETY RULES	2
HARDWARE.....	3
PARTS REFERENCE	3
PARTS LIST	3
ASSEMBLY	3
ELECTRICAL CONNECTION.....	5
MAINTENANCE	5
OPERATION	5
PRODUCTS	7
WARRANTY.....	7



This symbol will help to point out important safety precautions throughout this manual. It means - ATTENTION! BECOME ALERT! Your safety is involved.



RULES FOR SAFE OPERATION

- Know your pulling equipment's controls and safety features. READ YOUR EQUIPMENT OWNER'S MANUAL FOR SAFE OPERATION OF YOUR EQUIPMENT!
- Do not allow children to operate the vehicle.
- Do not allow adults to operate without proper instruction or without having read the Owner's Manual.
- Do not carry passengers. Keep children and pets a safe distance away.
- Always wear substantial footwear. Do not wear loose fitting clothing that can get caught in moving parts.
- Keep your eyes and mind on your tractor/attachment and area being covered. Do not let other interests distract you.
- Stay alert for holes in the terrain and other hidden hazards.
- Do not drive close to creeks, ditches and public highways.
- Watch out for traffic when crossing over or near roadways.
- When using any attachment, don't allow anyone near the vehicle while in operation.
- Keep the vehicle and attachment in good operating condition and keep safety devices in place.
- Keep all nuts, bolts and screws tight to be sure the equipment is in safe working condition.
- The vehicle and attachment should be stopped and inspected for damage after striking a foreign object. The damage should be repaired before restarting and operating the equipment.
- See towing equipment Owner's Manual for safe operation of the equipment.

Caution!



Always be sure to wear protective eyewear (goggles) when filling your sprayer and when spraying chemicals. Wear protective clothing that is close fitting and that covers your arms and legs. **DO NOT** permit children on or around the Sprayer while in use. Your Sprayer when filled with 15 Gallons of water will weigh approximately 150 pounds. **ALLOW FOR EXTRA STOPPING DISTANCE!**





APPLICATION RATES

Understanding the following information about your Sprayer will help to calibrate the application rates for your chemicals. The Sprayer operates at a fixed pressure of 60 PSI. This results in actual spraying time of 15 minutes using the handgun.



MAINTENANCE

The key to years of trouble-free service is to keep your Sprayer clean and dry.

Never allow wet material to remain in Sprayer for extended periods of time.

Occasionally check all moving parts for free movement and, if necessary, lubricate with oil.

Periodically check all fasteners for tightness.

Drain chemicals after each use. Once drained, flush system clean.

For Winter Storage: Flush out entire system, and store dry with no liquid in the pump to prevent freezing and breakage.



TROUBLESHOOTING

PUMP LOSES SUCTION:

Clean pump strainer in bottom of tank.
Check for loose pump fittings on the suction side.

PUMP CAPACITY DECREASED:

Clean spray nozzles.

PUMP VIBRATES, OR SWITCHES ON & OFF:

Adjust allen screw in the top of the pump. Turning the screw clockwise will usually solve the problem.
When the handgun is being used with a very fine mist, or a restricted spray pattern, it is normal for the pump motor to cycle on and off.



STORAGE

Clean the tank of all spray material, rinse the unit with clean water, and operate the unit until all water is purged from the unit.

Store the unit dry, with no liquid in the pump to prevent the unit from freezing. Liquid left in the tank and allowed to freeze will rupture valves and pump fittings!

Tip: Always wear safety glasses when operating sprayer. When winterizing your sprayer, pour a gallon of Antifreeze solution into the tank. Next, carefully use the sprayer system (handgun) to re-fill the Antifreeze container you just emptied. This will allow you to safely store your sprayer while greatly reducing your chances of damaging the sprayer pump, valves, etc.



ELECTRICAL CONNECTIONS

Your Brinly Sprayer uses 12-volt D.C. power.

Attach the Red Lead to the Positive terminal of your battery.

Attach the Black Lead to the Negative terminal of your battery.

Caution should always be exercised whenever working on or around batteries.

Heavy Gloves and Eye Protection should be worn when making connections to the battery.



TRACTOR/RIDING MOWER REQUIREMENTS AND SPEED

The Brinly Sprayer requires towing equipment with a 12-volt battery and charging system, and a drawbar hitch in order to properly operate the Brinly Sprayer.

The towing equipment should have operable brakes capable of controlling the loaded Sprayer and tractor.

Most chemicals are applied at a forward speed of 3-4 M.P.H. or the speed of a brisk walk.

To calibrate your towing equipment to 3 m.p.h.:

Measure a distance of 20 feet on a flat, level surface.

Adjust throttle and select a gear to cover this distance in 4.5 seconds

To adjust for 4 m.p.h., cover the same measured distance in 3.4 seconds.



WARNINGS

USE CHEMICALS SAFELY:

DO NOT use any flammable materials in this sprayer.

Follow spray material manufacturer's directions for each spray material.

NEVER allow the water hose that is used to fill the tank to reach down into the mixed spray solution. you may contaminate the end of the hose.

Your spray chemical dealer can tell you which sprays need to be followed by spray neutralizer material.

ALWAYS add chemicals to water, not water to chemicals.

DISPOSE OF CHEMICALS SAFELY:

Proper disposal of excess material is very important. It is best to dilute it with water and then spray it onto the area being sprayed.

NEVER "DUMP" SPRAY MATERIAL NEAR A STREAM OR DRAIN!!!

A Material Safety Data Sheet (MSDS) provides specific details on any spray material being used. Your spray chemical dealer can provide you with this information.



OPERATION

Install the wiring harness from the Sprayer to your towing equipment. Position the harness, so the switch is located near the operator's seat of the towing equipment. Be sure to check the harness, so it is not pinched in the hood area of the tractor or other towing equipment. Before filling the tank, run the pump, and then make sure that the switch is in the "off" position before filling the tank.

Fill the tank, making sure not to contaminate the water hose.

If you are using a wettable powder, you may want to use the handgun, placed on top of the tank, to re-circulate the material to help it mix.

The Handgun can be operated using the squeeze valve on the handle. Adjust the spray pattern by rotating the tip on the end of the handgun.

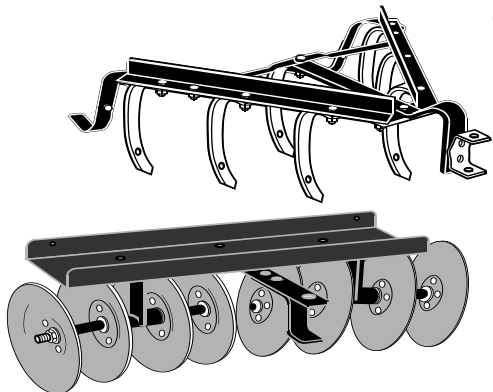
The Pump Strainer is at the bottom of the sump hose in the tank. This strainer can be removed to clean it by unscrewing the strainer from the end of the sump hose.

NOTES

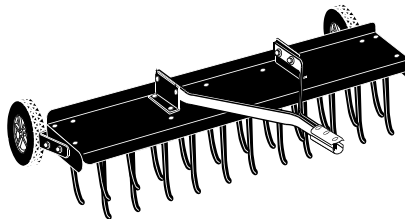
This page has been added for your convenience. If you have any notes regarding your sprayer that you would like to take regarding service calls, maintenance schedules, chemical measurement notes, etc. Please use this sheet as a reference point that is kept with your sprayer.

**Caring for the quality of your lawn
with the products from
Brinly-Hardy Company**

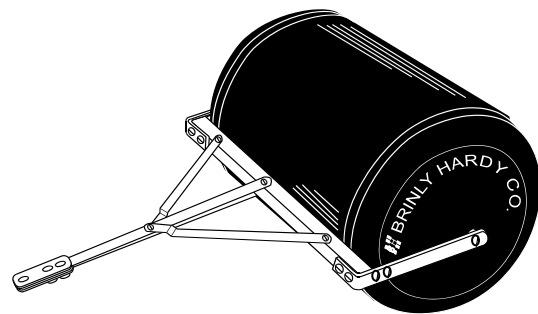
CALL OR EMAIL US FOR A FREE BROCHURE



Brinly's garden tractor items offer the largest selection to turn your garden tractor into a year-round tool. We have box scrapers, blades, cultivators, disk harrows, and even a plow! Remember that a sleeve hitch is required to hook up these items to your garden tractor.



If left alone, matted layers of thatch and large grass clippings can form on your lawn which prevents air circulation and breeds disease. Our patented design Dethatcher with spring steel tines gently comb thatch and clippings to the surface where they can be re-mulched, collected, or left exposed to the elements to break down.



No more rust or dents with these poly lawn rollers. These units are much easier to deal with than the steel versions. They have rounded end caps that won't tear or gouge the lawn when turning. Erase the harmful effects of front heaving and moles, or pack down newly sown seed or sod.

Limited Warranty

Brinly-Hardy Company warrants only to the original retail purchaser that this product will remain free of defects in workmanship and materials under normal use and service for a period of two (2) years (NOTE: ninety (90) days for commercial or rental use) commencing with the date of purchase.

Any parts found to be defective within the warranty period will be replaced, with proof of date of purchase, at Brinly-Hardy Company's expense. Our obligation under this warranty is expressly limited to replacement or repair, at our option of parts, which are defective in material or workmanship within thirty (30) days of receipt of the parts. This warranty does not apply to damage caused by unreasonable use, including failure to provide necessary maintenance, nor does it apply to any transportation or labor charges.

WE MAKE NO OTHER EXPRESS WARRANTY NOR IS ANYONE AUTHORIZED TO MAKE ANY ON OUR BEHALF. ANY IMPLIED OR STATUTORY WARRANTIES, INCLUDING ANY WARRANTY OF MERCHANTABILITY OR FITNESS FOR A PARTICULAR PURPOSE, ARE LIMITED TO THE DURATION OF THIS WRITTEN WARRANTY. WE SHALL NOT BE LIABLE FOR CONSEQUENTIAL OR INCIDENTAL DAMAGES OF ANY KIND.

MADE IN THE U.S.A.
BRINLY-HARDY COMPANY TOLL-FREE 1-877-728-8224

Register Online at: www.brinly.com

Quality Insurance

Dear Customer,
We are very proud of our quality and endeavor to produce each product to meet high standards. Should your purchase not meet your expectations, we have a Quality Insurance Policy.

If you purchase a product and a part is missing or defective, please inform us of the problem on the "Comments" section of the Warranty Registration Card in this manual or online, or feel free to contact us toll free at 1-877-728-8224. PLEASE DO NOT RETURN THE PRODUCT TO THE STORE.

We will make every effort to ship a new replacement part to you within 24 hours at no charge.

Thank you,

Jane Hardy
President,
Brinly-Hardy Company

WARRANTY REGISTRATION CARD

To register your new product for warranty, please complete and return this card.

Name: _____

Address: _____

City: _____ State: _____ Zip: _____

Phone: _____

Product Purchased: _____ Model#: _____

Packing# (on carton): _____

Where purchased: _____ Date: _____

Type of Tractor Owned: Make: _____

Model: _____

HP: _____

Size of Lawn: ___ 1/4-1/2acre ___ 1/2-1acre ___ 1-5 acre ___ 5+

Do you garden? ___ Use a tractor? ___ Tiller? ___

Your Occupation? _____

Your Email Address? _____



Place
Postage
Here

BRINLY
P.O. Box 18
Jeffersonville, IN. 47131-0018