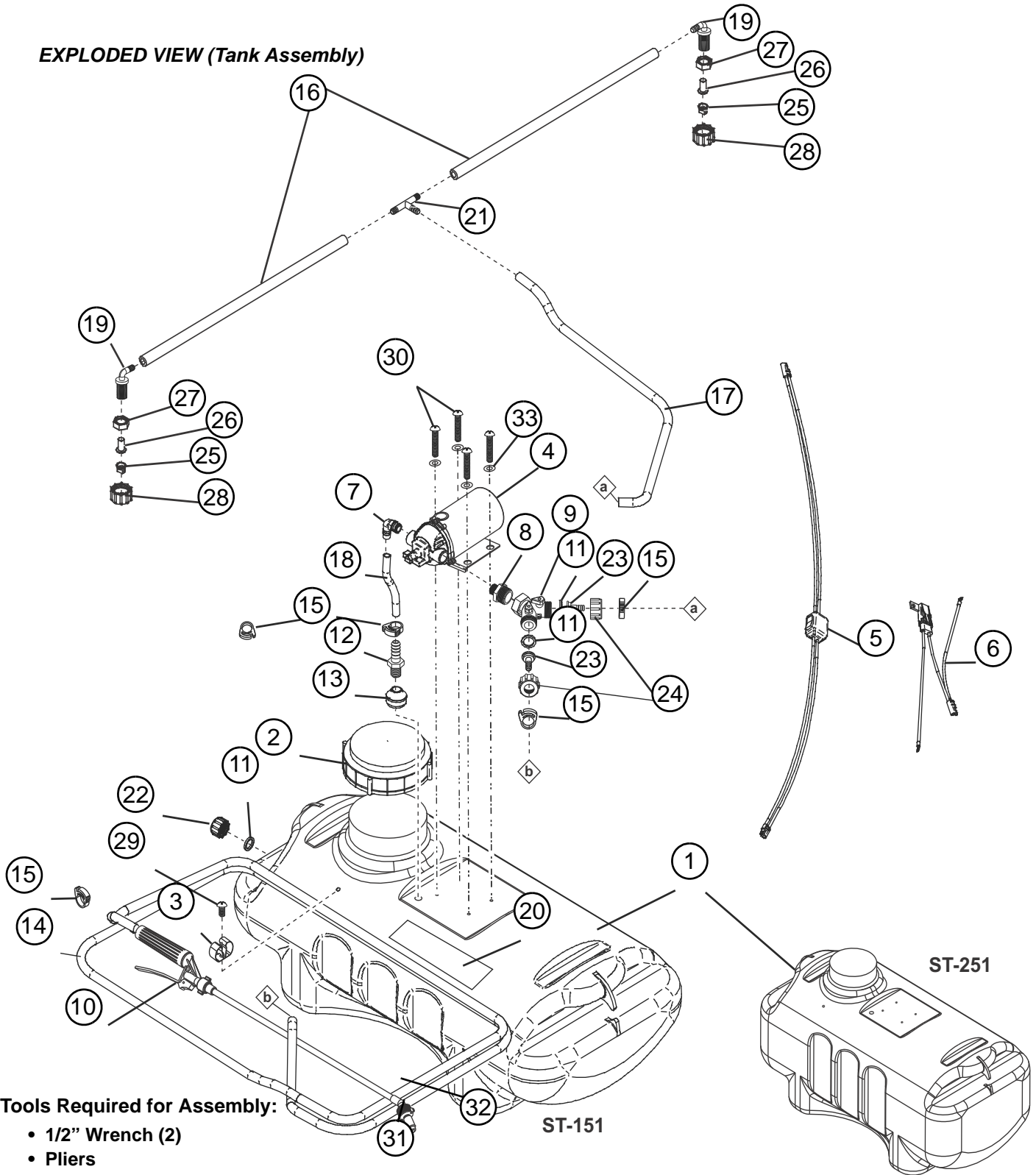


# PARTS REFERENCE

EXPLODED VIEW (Tank Assembly)



**Tools Required for Assembly:**

- 1/2" Wrench (2)
- Pliers
- Tape Measure
- Safety Glasses
- Gloves

# PARTS REFERENCE

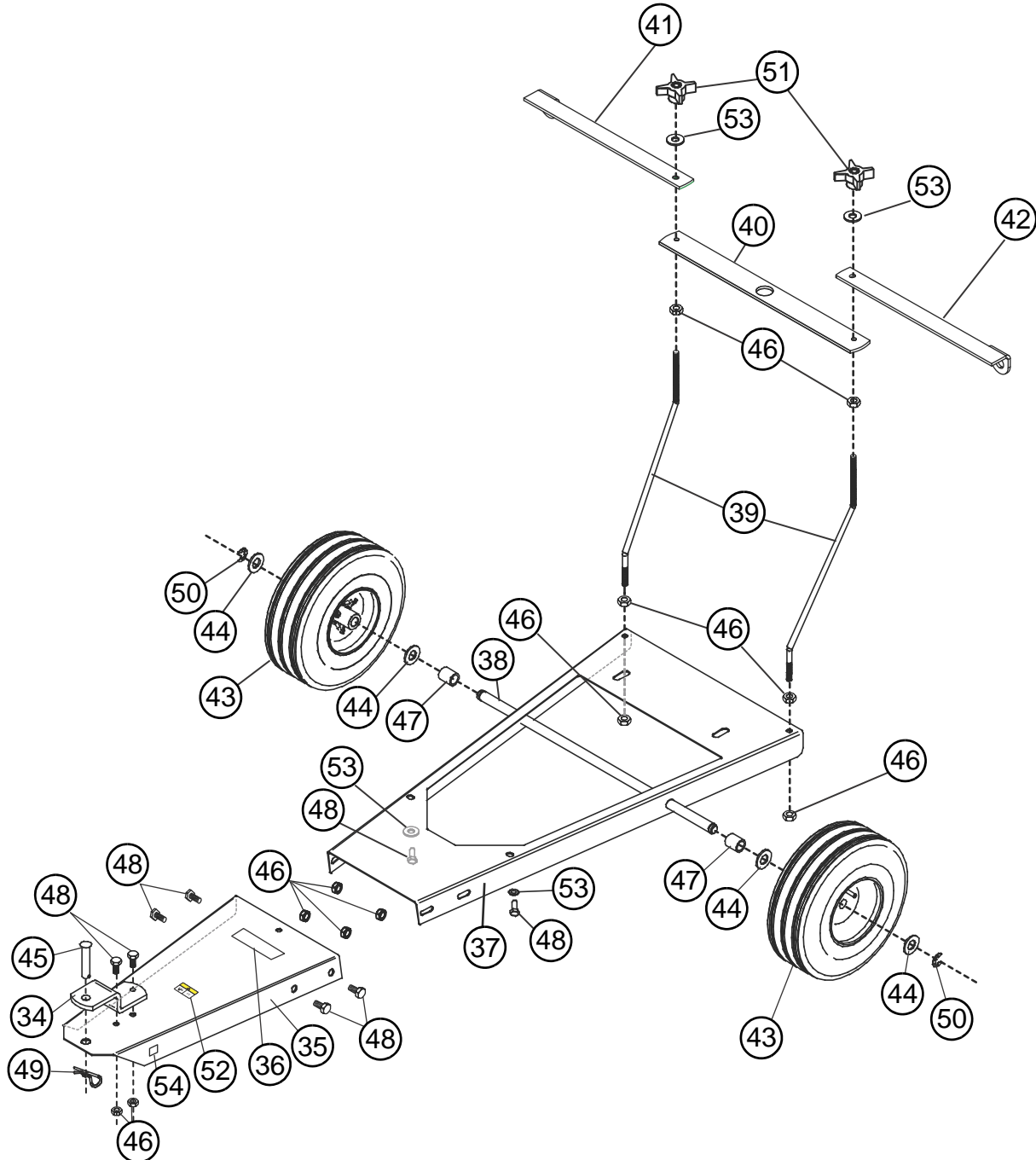
## PARTS LIST (Tank Assembly)

REF NO.	ST-151 PART NO.	ST-251 PART NO.	DESCRIPTION	QTY.
1.	B-6026	B-6025	Sprayer Tank	1
2.	B-6028	B-6028	Tank Cap	1
3.	B-6511	B-6511	Clip, Wand Holder	1
4.	B-6027	B-6027	Pump, 2.0 GPM CE rated	1
5.	B-6030	B-6030	Wiring Harness w/switch	1
6.	B-6031	B-6031	Wiring Harness, Battery Connection	1
7.	B-6046	B-6046	Elbow 90 deg., 3/8 Inch MPT. x 3/8 Inch H.B.	1
8.	B-6513	B-6513	Nipple, Reducing, 3/8" MPT. x 3/4" MGHT	1
9.	B-6512	B-6512	Valve, Dual Ball Tee, F.M.P.T.	1
10.	B-6400	B-6400	Hand Wand (B-6583 - Tip only for service)	1
11.	B-6054	B-6054	Washer, Black Vinyl 1" OD x 3/4 Inch ID	3
12.	B-6598	B-6598	Adapter, 1/4 Inch M.P.T. x 3/8 Inch H.B.	1
13.	B-6597	B-6597	Strainer, 1/4 Inch, #40 mesh	1
14.	B-6033	B-6033	Hose, 3/8" ID x 12 ft.	1
15.	B-6047	B-6047	Hose Clamp	*5
16.	B-6035	B-6035	Hose, 3/8" ID x 22 Inch	2
17.	B-6034	B-6034	Hose, 3/8" ID x 30 Inch	1
18.	B-6088	B-6087	Hose, 3/8" ID x 12 or 17 Inch	1
19.	B-6043	B-6043	Nozzle Body, 90 deg, 3/8 Inch H.B.	2
20.	B-6020	B-6020	Caution Decal	1
21.	B-6045	B-6045	Hose Barb, 3/8 Inch to 3/8 Inch	1
22.	B-6578	B-6578	Drain Cap 3/8 Inch	1
23.	B-6055	B-6055	Hose Barb, Flat Seat, 3/8 inch H.B.	2
24.	B-6056	B-6056	Nut, Hose Swivel, 3/4 inch F.G.H.T.	2
25.	S-1148	S-1148	Tip, Sprayer 90°	2
26.	B-6040	B-6040	Strainer, Nozzle	2
27.	B-6041	B-6041	Jamb Nut, Nozzle Fitting	2
28.	B-6042	B-6042	Nut, Tip Fitting	2
29.	22M0606P	22M0606P	Screw, #10-24 x 3/8 Inch	1
30.	22M0616P	22M0616P	Screw, #10-24 x 1 Inch	4
31.	B-6583	B-6583	Tip, Hand Wand	1
32.	B-6584	B-6584	Nut, Hand Wand	1
33.	45M0909P	45M0909P	Washer, SAE Flat, 1/4"	4

\* Extra hose clamp included.

# PARTS REFERENCE

## EXPLODED VIEW (Trailer Assembly)



### Tools Required for Assembly:

- 1/2" Wrench (2)
- Pliers
- Tape Measure
- Safety Glasses

# PARTS REFERENCE

## PARTS LIST (Trailer Assembly)

REF NO.	ST-151 PART NO.	ST-251 PART NO.	DESCRIPTION	QTY.
34.	B-3034-10	B-3034-10	Clevis	1
35.	B-6322F-10	B-6322F-10	Towbar	1
36.	B-5922	B-5922	Logo, Decal	1
37.	B-6322R-10	B-6322R-10	Base, Rear	1
38.	B-5684-01	B-5684-01	Axle	1
39.	S-1142	S-1142	Boom Support	2
40.	S-1141-10	S-1141-10	Boom Center Bar	1
41.	B-7761R-10	B-7761R-10	Boom Extension, RH	1
42.	B-7761L-10	B-7761L-10	Boom Extension, LH	1
43.	B-5692	B-5692	Wheel	2
44.	45M2121P	45M2121P	5/8" Flat Washer	4
45.	B-3861	B-3861	Hitch Pin, 1/2 x 2-1/2 Inch	1
46.	B-4355	B-4355	5/16" Whiz Lock Nut	12
47.	B-5691	B-5691	Axle Spacer	2
48.	B-5695	B-5695	5/16" x 5/8" Hex Flange Bolt	10
49.	D-146P	D-146P	Hairpin, Cotter	1
50.	F-577	F-577	5/8" E-Ring	2
51.	F-782	F-782	Knob	2
52.	R-1946	R-1946	Decal, Instruction	1
53.	R-618	R-618	Washer, Special	4
54.	L-1744-4	L-1744-4	Label, Serial Number	1