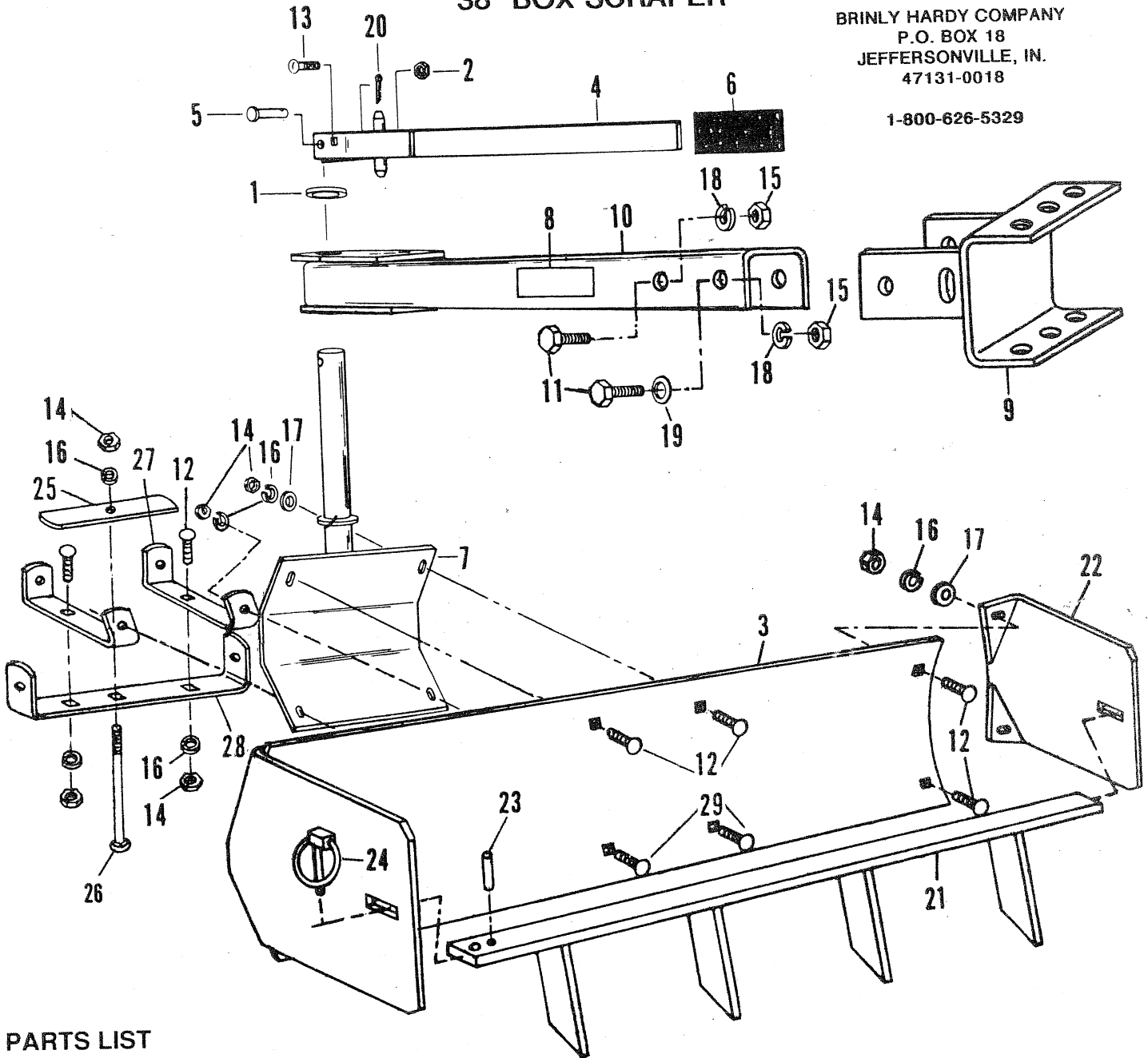


# 38" BOX SCRAPER

TO ORDER PARTS:

BRINLY HARDY COMPANY  
P.O. BOX 18  
JEFFERSONVILLE, IN.  
47131-0018

1-800-626-5329



## PARTS LIST

Ref. No.	Part No.	Description	Qty.	Ref. No.	Part No.	Description	Qty.
1	B-811-P	Flat Washer (Bushing)	1	16	40M1200P	Lock Washer, 3/8"	11
2	B-1675P	Hex Lock Nut, 3/8"	1	17	45M1313P	Flat washer, 3/8"	6
3	B-4813-10	Blade, 38"	1	18	40M1600P	Lock Washer, 1/2"	4
4	B-2376-10	Angling Lever	1	19	45M1717P	Flat Washer, 1/2"	2
5	B-2578	Shear Pin, 7/16" x 2-3/8"	1	20	50M0416P	Cotter Pin, 1/8" x 1"	1
6	B-3717	Handle Grip	1	21	B-4819-10	Scarifier Bar Assembly	1
7	B-2596-10	Blade Mount Plate	1	22	B-4814-10	Side Plate	2
8	B-5922	Logo Decal	1	23	B-671	Drive Pin, 1/4" x 1"	1
9	B-4265-10	Hitch Assembly	1	24	B-3682	Klik Pin, 3/16"	1
10	B-4351-10	Drawbar	1	25	B-5693-10	Hold Down Strap	1
11	2M1620P	Hex Bolt, 1/2" x 1-1/4"	4	26	B-5694	Carriage Bolt, 3/8" x 8-1/2"	1
12	10M1216P	Carriage Bolt, 3/8" x 1"	8	27	B-5343-10	Weight Mount Bracket	2
13	10M1240P	Carriage Bolt, 3/8" x 2-1/2"	1	28	B-5344-10	Weight Support Bracket	1
14	30M1200P	Hex Nut, 3/8"	11	29	11M1220P	Carriage Bolt, 3/8" x 1-1/4"	2
15	30M1600P	Hex Nut, 1/2"	4				